



6450-C

FROZEN BEVERAGE FREEZER

Single flavor, Countertop, Gravity feed

Most **Compact & Versatile**
Single flavor counter model for
frozen beverages



Fast Freeze Down

Patented high efficiency heat exchanger allows fast freeze down with low energy consumption

Simple Control, Easy Operation

Simple and intuitive control system makes operation and viscosity adjustment easy, swift and more precise

Low Mix Indicator

Light turns "ON" at low mix to alert operator to add mix

Safety Protections

- High pressure switch to prevent compressor overheating
- Thermal overload to protect from motor overheating

See-through Dispensing Door

Clear dispensing door design makes product more attractive and serves as great marketing tool

Self-closing Dispensing Valve

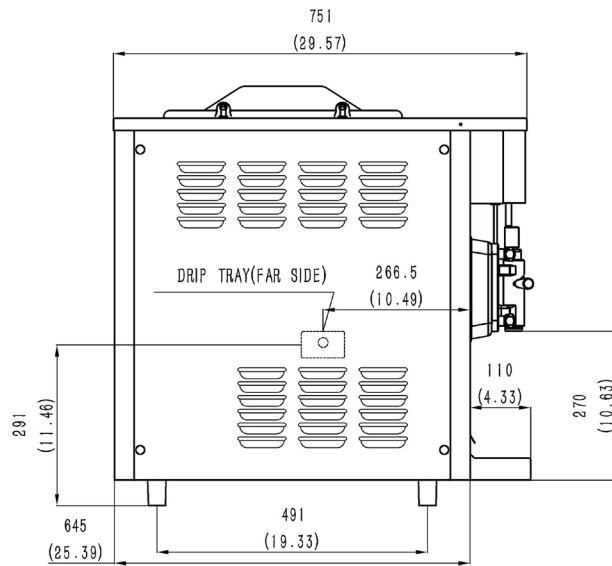
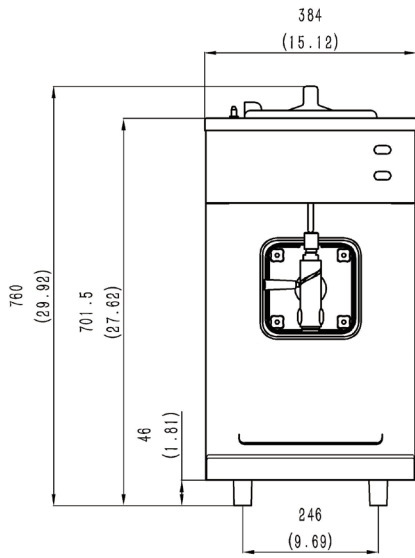
Automatically prevents product overflow after dispense

Perfect solution for alcoholic and non-alcoholic
frozen beverages in bars and restaurants



6450-C

FROZEN BEVERAGE FREEZER



SPECIFICATIONS

Flavors	1
Freezing Cylinders	1 x 3.8L / 4.0qt
Mix Hoppers	1 x 12L / 12.7qt
Output Capacity (8oz)	90 servings/hr
Clearance Requirements	152mm/6" on back

Weight Kg/lb

Net	99 / 220
Shipping	109 / 242
Volume	0.29 CBM / 10.13 CBF

Dimensions Net (mm/in) Shipping (mm/in)

Width	384 / 15.1	420 / 16.5
Depth	645 / 25.4	770 / 30.3
Height	760 / 29.9	890 / 35.0

Electrical FLA Power(kW) Plug

110-120/60/1	10	1.0	5-20P
--------------	----	-----	-------

FEATURES

Control System	One, Mechanical
Auto Closing Dispensing Valve	✓
Low Mix Indicator Light	✓
High Pressure Protection	✓
Thermal Overload Protection	✓

• Above specifications are subject to change without notice